

EC Link and EC4

Media Converter to Extender



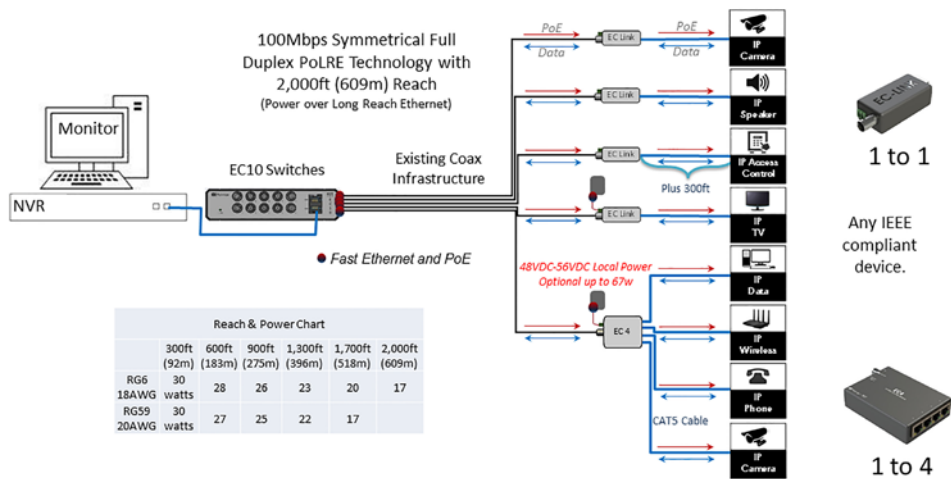
The EC-Link and EC4 are energy-efficient media converters for the CLEER and EC10 switches.

The EC-Link and EC4 media converters support the IP end points leveraging the CLEER or EC10 switches. In addition, the EC-Link can be easily converted to become an Ethernet extender, with an EC-Link at the base unit and an additional media converter - either another EC-Link or EC4 - at the other end.

EC-Link can become an Ethernet extender and paired with another media converter (EC-Link or EC4) to create a single run solution.

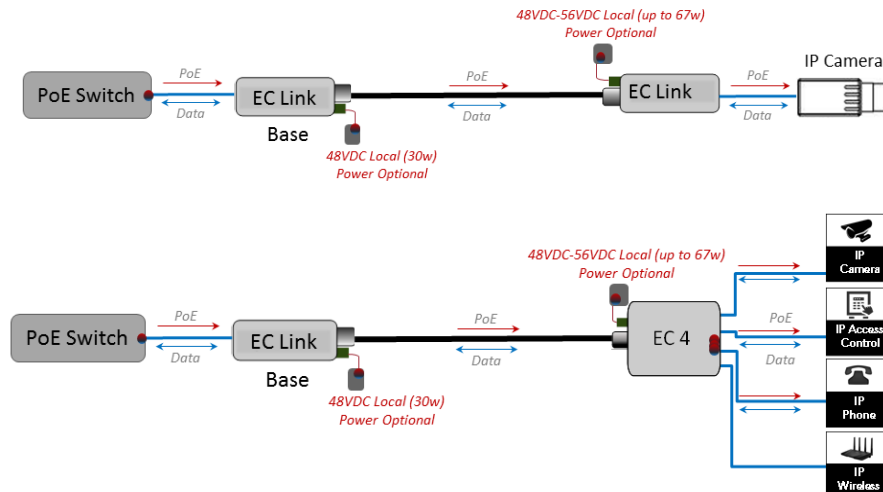
If required, the media converters can be locally powered to deliver additional power to the IEEE compliant IP end point. Powered by PoLRE, the EC switch backbone complements the data switch fabric and you are guaranteed a dedicated secure path and bandwidth for the video streams with no data LAN dependencies due to the physical separation of the video stream. Your bandwidth and power requirements are supported today and into the future.

EC-Link and EC4 Connected to the EC10 Switch



EC-Link as an Ethernet Extender

Locally Powered or Connected to an "Always On" PoE Injector



EC4 Media Converter Technical Specifications

Model	EC4
Dimensions	0.98" x 2.75" x 4.3" (HxWxD), 2.5cm x 7cm x 11cm (HxWxD)
Weight	3.3 oz (96 g)
Mounting	<ul style="list-style-type: none">• Inline between the CAT5e/6 cable (to IP endpoints) and the COAX cable (to CLEER/EC Switch)• Inline between the CAT5e/6 cable (to IP endpoints) and the COAX cable (to a second EC-Link when used as an Extender)
COAX Interface	1 BNC port: COAX cable – RG59, RG11, RG6.
Ethernet Interface	4 x RJ45 port: 10/100 Base-T autosensing, IEEE 802.3af/at, 100 Mb connection to IP end device
Power injection (PoE)	DC voltage on RJ45 port: <ul style="list-style-type: none">• 37V – 55V; Endpoint devices must be compliant with IEEE 802.3af/at
DC IN (Screw Terminal)	Optional <ul style="list-style-type: none">• 48V – 56VDC via an external AC/DC Power Adapter (IEC Class II isolated only)
Power consumption	1W
Operating temperature	32°F to 158°F (0°C to 70°C)
Humidity	10% to 95% (non-condensing) at 95°F (35°C)

EC-Link Media Converter Technical Specifications

Model	EC-Link
Dimensions	2.1cm x 3.2cm x 8.8cm (HxWxD); 0.83" x 1.23" x 3.46" (HxWxD)
Weight	33 g (1.16 oz.)
Mounting	Inline between the CAT5 cable (to IP endpoint) and the COAX cable (to CLEER/EC Switch or to a second EC-Link when used as an Extender)
COAX Interface	1 BNC port: COAX cable – RG59, RG11, RG6.
Ethernet Interface	1 RJ45 port: 100 Base-T, IEEE 802.3af/at
Power injection (PoE)	DC voltage on RJ45 port: 37V – 55V; Endpoint devices must be compliant with IEEE 802.3af/at
DC IN (Screw Terminal)	Optional: 48V – 56VDC via an external AC/DC Power Adapter (IEC Class II isolated only)
Power consumption	0.9W
Operating temperature	-50°C to +70°C
Humidity	10% to 95% (non-condensing) at 35° C

Optional DC Power Adapters

Model	NV-EC-48-PWR; NV-EC-100-PWR
Dimensions NV-EC-48-PWR	1.73" x 1.81" x 4.13" (WxHxD); 44mm x 30mm x 105mm (WxHxD)
Dimensions NV-EC-100-PWR	2.36" x 1.42" x 6.06" (WxHxD); 60mm x 36mm x 154mm (WxHxD)
Weight	17.99 oz (510 g)
Input	100-240VAC 50/60 Hz 100VA; IEC380-C14 power inlet
Output	48VDC 2A
Operating temperature	-20.2°F to 113°F (-29°C to 45°C)
Storage Temperature	-40°F to 167°C (-40°C to 75°C)

Specifications subject to change without notice.