

EC10

Move to IP with Confidence



You want to move to IP, but are challenged by infrastructure, logistics and reach? The answer is EC.

EC (Ethernet over Coax) switches are based on Phybridge's proven PoLRE® (Power over Long Reach Ethernet) technology. EC10 is a 10 port Ethernet over Coax switch designed specifically to facilitate a seamless switchover from an Analog to an IP infrastructure by leveraging the existing Coax cables to deliver Ethernet and POE. The EC10 switch transforms the existing, proven reliable COAX infrastructure into an IP path with power ideal for IP Cameras.

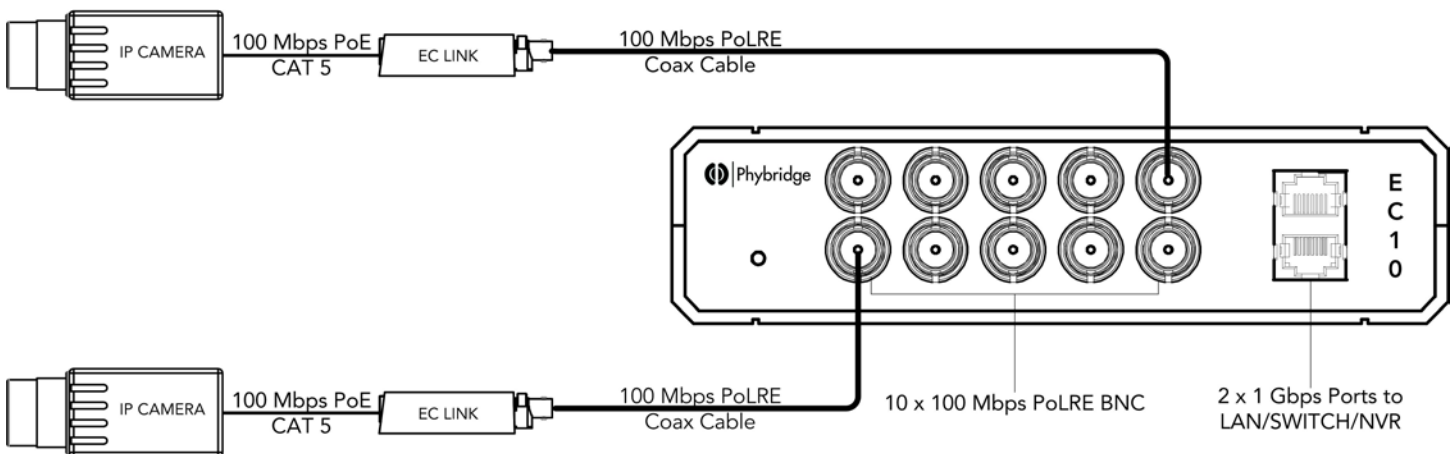
Powered by PoLRE, the EC switch backbone complements the data switch fabric and you are guaranteed a dedicated secure path and bandwidth for the video streams with no data LAN dependencies due to the physical separation of the video stream. Your bandwidth and power requirements are supported today and into the future.

The migration from analog to IP is repeatable, predictable and scalable; regardless of size or location. The dedicated video path will reduce the cost, risk and complexity associated with layering video on your data switch fabric. **A no-compromise solution.**

EC switches deliver Long Reach Ethernet and Power over COAX cable with over five times the reach of traditional Ethernet switches.

From 5 to 5,000 Cameras, Phybridge can help optimize your LAN for IP while offering the best return on investment possible. In addition to the EC10 switch, Phybridge has a 24 port managed switch offering.


Phybridge offers an industry leading QoS guarantee. We can do this with confidence because we leverage the existing, proven reliable point-to-point infrastructure to create a dedicated physical path for every IP Camera, ensuring data traffic has no impact on the video stream.



EC10 Switch Technical Specifications

Model	EC10
Dimensions	4.5cm x 17.8cm x 12cm (HxWxD) 1.77" x 7.01" x 4.72" (HxWxD)
Weight	0.308 kg (0.679 lbs.)
Interface: Ethernet Uplink (Trunk IP)	2 RJ45 ports: 10/100/1000 Base-T autosensing, Independent speed selection, Ethernet IEEE 802.3, CAT5e copper cable
Interface: Downlink (PoE and IP to adapter)	10 x BNC Jacks Speed: 100Mb/s (full duplex) PoE power: 30 Watts Maximum Maximum distance: 1500' (457M) over RG59 COAX Cable 2000' (609M) over RG11 COAX Cable
Power supply	55VDC, 165W
Power consumption	4.4W
Power injection (PoE)	55VDC; Endpoint devices must be compliant with IEEE 802.3af
Operating temperature	0° C to 40° C
Humidity	10% to 95% (non-condensing) at 35° C

EC-Link Media Converter Technical Specifications

Model	EC-Link	
Dimensions	2.1cm x 3.2cm x 8.8cm (HxWxD); 0.83" x 1.23" x 3.46" (HxWxD)	
Weight	33 g (1.16 oz.)	
Mounting	Inline between the CAT5 cable (to IP endpoint) and the COAX cable (to CLEER/EC Switch or to a second EC-Link when used as an Extender)	
COAX Interface	1 BNC port: COAX cable – RG59, RG11, RG6.	
Ethernet Interface	1 RJ45 port: 10/100 Base-T autosensing, IEEE 802.3af, 100 Mb connection to IP end device	
Power injection (PoE)	DC voltage on RJ45 port: • 37V – 55V; Endpoint devices must be compliant with IEEE 802.3af	
DC IN (Screw Terminal)	Optional • 48V – 56VDC via an external AC/DC Power Adapter (IEC Class II isolated only)	
Power consumption	0.9W	
Operating temperature	0° C to 40° C	
Humidity	10% to 95% (non-condensing) at 35° C	